

Single-axis controller S22 / SS22



The single-axis controller S2/SS2 is a robust switching device for remote controlled and electrohydraulic applications. The modular design of the switching device is universally applicable. The single-axis controller is resistant to oil, maritime conditions e.g. offshore /vessels, UV radiation typically from the sun.



Technical data

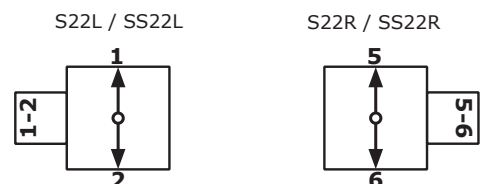
Mechanical life S22	6 million operating cycles
Mechanical life SS22	10 million operating cycles
Operating temperature	-40°C til +60°C
Degree of protection	IP54

	S22L	S5	T	- 3 Z P	- A050 P134	- X
Basic unit	S22L left					
Control-handle extended	S5 -20mm					
Grip / palm grip	T Dead man					
Axis 1 (direction 1-2)	3 3 contacts (2A 250V AC15) Z Spring return P Potentiometer					
Description axis 1 (direction 1-2)	A050 Arrangement MSP21 P134 Potentiometer T396 2x5kOhm					
Special model	X Special / customer-specific					

	S22L	S5
Basic unit	S22L Single-axis controller left S22R Single-axis controller right reinforced version	
	SS22L Single-axis controller left SS22R Single-axis controller right	
Control-handle extended	Standard S5 -20mm S8 +20mm	

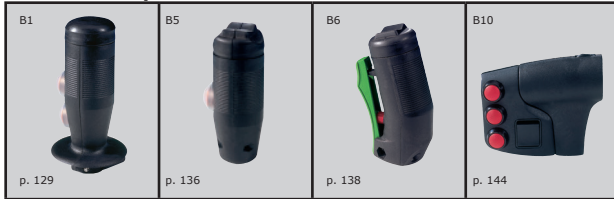
T - 3 Z P - A050 P134 - X

Identification of the installation variants with switching directions:



Single-axis controller S22 / SS22

Combination possibilities with our handles



S22L S5 T - 3 Z P - A050 P134 - X

Grip / palm grip

	Knob (standard)
M	Mechanical zero interlock
MN	Mechanical zero interlock (push down)
T	Dead man
MT	Mechanical zero interlock + dead man
H	Signal button
MH	Mechanical zero interlock + signal button
D	Push button
MD	Mechanical zero interlock + push button
DV	Flush push button
MDV	Mechanical zero interlock + flush push button
B...	Palm grip B... (see page palm grip 129)

S22L S5 T - 3 Z P - A050 P134 - X

Axis 1: direction 1-2 left / direction 5-6 right

1	1 contact	Standard contact - arrangement see page 112	
2	2 contacts	z.B.	
3	3 contacts	A98	MS0
4	4 contacts	A05	MS21
		A0500	MS21-00
		<i>A99 contact - arrangement according customer request</i>	
Z	Spring return		
R	Friction brake		
(P)	Possibility of mounting potentiometer and encoder (Gessmann-types)		
P	Potentiometer	P131	T396 2x0,5kOhm max. 1mA
		P132	T396 2x1kOhm max. 1mA
		P133	T396 2x2kOhm max. 1mA
		P134	T396 2x5kOhm max. 1mA
		P135	T396 2x10kOhm max. 1mA
		<i>More potentiometer on request!</i>	
C	Codierer	C...Encoder see page 119	

Single-axis controller

S22 / SS22



S22L S5 T - 3 Z P - A050 P134 - X

Special model

- X Special / customer-specific
- X1 Switching run 2-0-2

Attachments

- Indicating labels
- Indicating labels with engraving

1



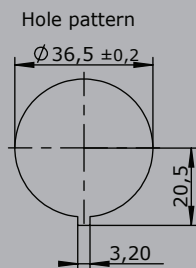
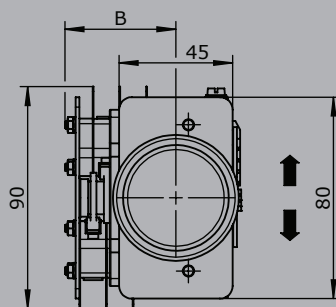
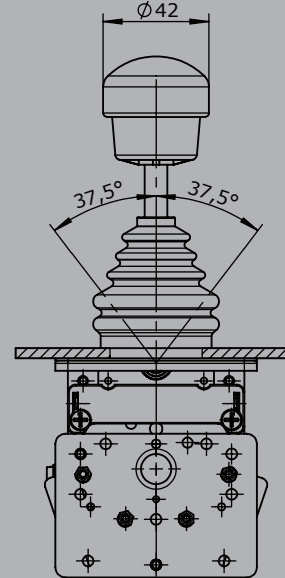
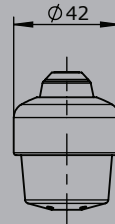
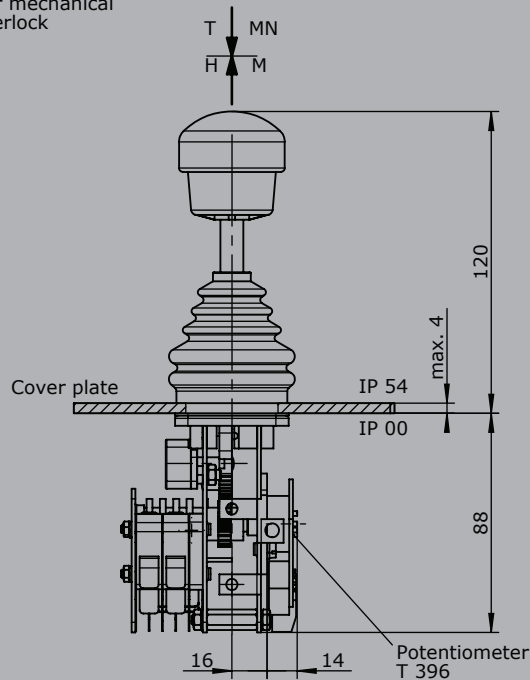
tel. 94 620 10 36 fax. 94 620 18 32
info@kimatic.es · www.kimatic.es

Single-axis controller

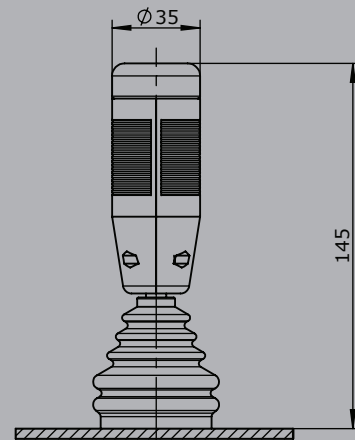
S22 / SS22

T = Dead man's button
H = Signal button
M = Latch for mechanical zero interlock

Knob solid
D = Push button



Palm grip B5
B5 T = Dead man's button



Type	No. of contacts	Dim. B
1	1	25
2	2	31
3	3	36
4	4	42

KIMATIC.es

tel. 94 620 10 36 fax. 94 620 18 32
info@kimatic.es · www.kimatic.es