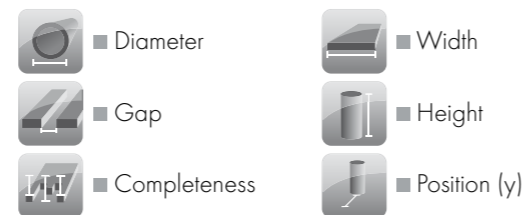


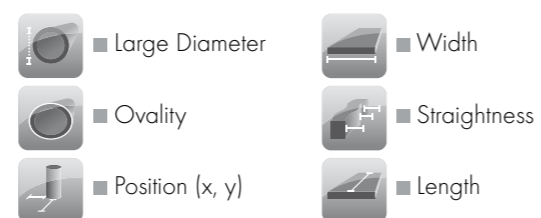


APPLICATIONS:

Single Sensors (Sender and Receiver):



Combinations:



METIS SERIES



LASER SCAN MICROMETER:

Laser sensors of LAP METIS series work by laser scanning. One sensor consists of emitter and receiver. If there are one or several objects between them, the sensor measures the distance between the edges of shadowing and/or the edges of the gap.

Single sensors measure diameter, width, gap, position in one axis or completeness. Depending on arrangement, you may also measure ovality, length, straightness or position in two axes.

BENEFITS:

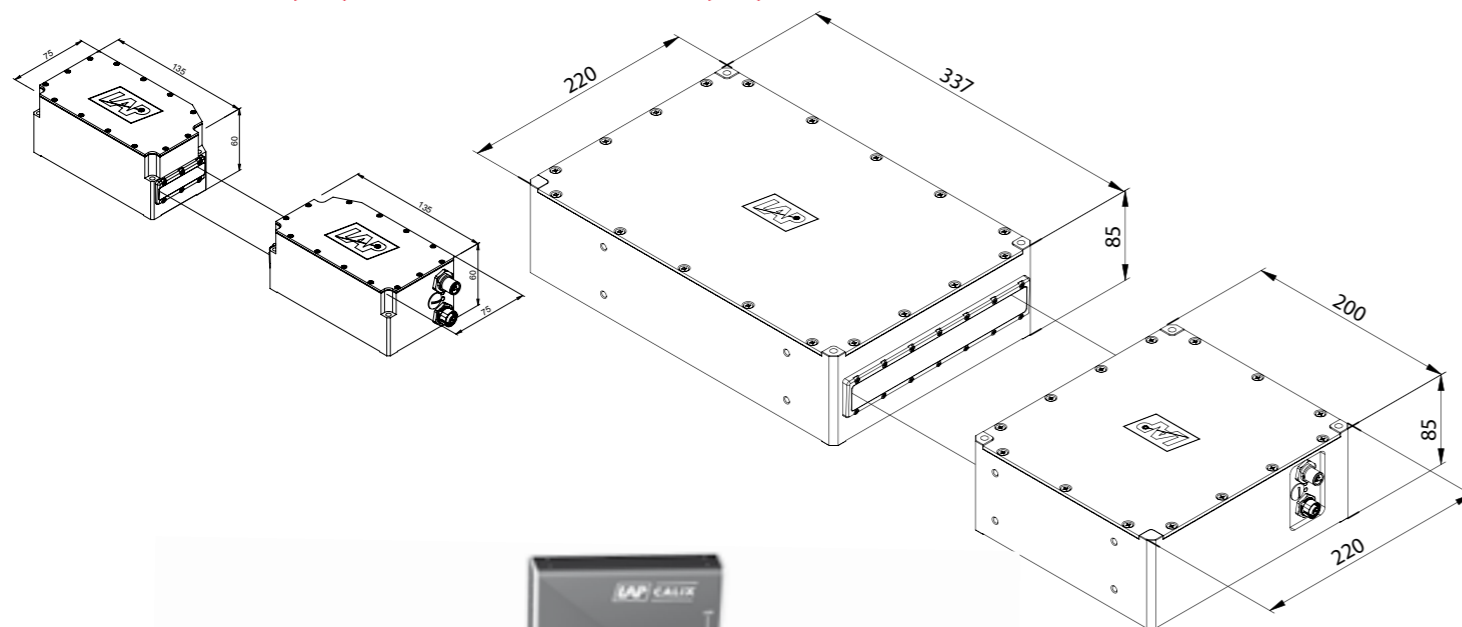
- Measuring Diameters from 0.2 ... 2000 mm
- Detection of several object edges
- Intelligent evaluation software
- Limit switches
- Flexible interfacing

Technical Data	
Laser type, wavelength	Diode, 670 nm, red
Laserausgangsleistung	1 mW
Laser class	2
Sampling frequency	800 Hz, optional 1600 or 2000 Hz
Interfaces	RS485, up to 1 MBaud
Power supply	24 V DC \pm 20 %
Ambient conditions	0 ... 40 °C, 35 ... 85 % rel. humidity, non-condensing
Enclosure rating	IP 65



DRAWING METIS 45 (1:6):

DRAWING METIS 180 (1:6):



MODELS

Type	Measuring Range [mm]	minimale Größe des Messobjektes [mm]	Resolu-tion [nm]	Repeatabi-lity* [μ m]	Linearity* [μ m]	Dimensions [L×W×H]	Weight [kg]
METIS 45	45	0,2	5,4	\pm 2	\pm 8	(S) 135 × 75 × 60 (E) 135 × 75 × 60	1.5
METIS 90	90	0,5	10,8	\pm 3	\pm 15	(S) 165 × 102 × 61 (E) 165 × 102 × 61	2.6
METIS 120	120	1	14,4	\pm 4	\pm 20	(S) 235 × 164 × 62 (E) 235 × 164 × 62	5.3
METIS 150	150	1	18	\pm 6	\pm 25	(S) 300 × 180 × 85 (E) 270 × 180 × 85	8.9
METIS 180	180	1	22	\pm 8	\pm 30	(S) 337 × 220 × 85 (E) 200 × 220 × 85	11.5

* Messbedingungen: 20 °C, Oberfläche mattweiss, Integrationszeit 100 ms, 2 σ , RS 485

