

Double-handle controller D3



The double-handle controller D3 is a robust switching device for nautical navigation applications. The modular design enables the switching device to be used universally. The double-handle controller is resistant to oil, maritime conditions e.g. offshore /vessels, UV radiation typically from the sun.



1

Technical data

Mechanical life D3	12 million operating cycles
Operation temperature	-40°C til +60°C
Degree of protection	IP66 front

	D3	S5	Q / Q	- 2 R P	+ 3 R P	- B	- A05 P214	- A050 P214	- E1292	- X
Basic unit										
D3										
Control-handle extended										
S5 -20mm										
Grip- control handle left										
Q T-grip										
Grip- control handle right										
Q T-grip										
Axis 1 (direction 1-2)										
2 2 contacts (1,5A 24V DC13)										
R Friction brake										
P Potentiometer										
Axis 2 (direction 3-4)										
3 3 contacts (1,5A 24V DC13)										
R Friction brake										
P Potentiometer										
Cover housing										
B Cover housing										
Description axis 1 (direction 1-2)										
A05 Arrangement MSP21										
P214 Potentiometer T246 2x5kOhm										
Description axis 2 (direction 3-4)										
A050 Arrangement MSP21-0										
P214 Potentiometer T246 2x5kOhm										
Interface										
E1292 Voltage output 0...5...10V										
Special model										
X Special / customer-specific										



tel. 94 620 10 36 fax. 94 620 18 32
info@kimatic.es · www.kimatic.es

Double-handle controller D3

Combination possibilities with our handles



D3 S5 Q / Q - 2 R P + 3 R P - B - A05 P214 + A050 P214 - E1292 - X

D3

Standard 148mm
S5 -20mm
S8 +20mm
**Only available in combination with handle!*

Knob
D Push button
Q T-grip
QD T-grip with push button side

Knob
D Push button
Q T-grip
QD T-grip with push button side

Identification of the installation variants with switching directions:

D3



tel. 94 620 10 36 fax. 94 620 18 32
info@kimatic.es · www.kimatic.es

D3 S5 Q / Q - 2 R P + 3 R P - B - A05 P214 + A050 P214 - E1292 - X

1	1 contact	Standard contact- arrangement see page 112		
2	2 contacts	z.B.		
3	3 contacts	A98	MS0	
		A05	MS21	
		A050	MS21-0	
		<i>A99 contact - arrangement according customer request</i>		
R	Friciton brake			
(P)	Mounting options for potentiometer and (Gessmann-types)			
P	Potentiometer	P211	T246 2x0,5kOhm	I max. 1mA
		P212	T246 2x1kOhm	I max. 1mA
		P214	T246 2x5kOhm	I max. 1mA
		P215	T246 2x10kOhm	I max. 1mA
		<i>More potentiometer on demand!</i>		
	Hall-Potentiometer	P42	T1003	0,5...2,5...4,5V / 4,5...2,5...0,5V



If both axis identical, it's enough to describe one axis!
example: ...A05P214 + A05P214 => A05P214

D3 S5 Q / Q - 2 R P + 3 R P - B - A05 P214 + A050 P214 - E1292 - X

1

Axis 2: direction 3-4 left

1	1 contact	Standard contact- arrangement see page 112		
2	2 contacts	z.B.		
3	3 contacts	A98	MS0	
		A05	MS21	
		A050	MS21-0	
<i>A99 contact - arrangement according customer request</i>				
R	Friction brake			
(P)	Mounting options for potentiometer (Gessmann-types)			
P	Potentiometer	P211	T246 2x0,5kOhm	I max. 1mA
		P212	T246 2x1kOhm	I max. 1mA
		P214	T246 2x5kOhm	I max. 1mA
		P215	T246 2x10kOhm	I max. 1mA
		<i>More potentiometer on demand!</i>		
	Hall-Potentiometer	P43	T1003	0,5...2,5...4,5V/4,5...2,5...0,5V

D3 S5 Q / Q - 2 R P + 3 R P - B - A05 P214 + A050 P214 - E1292 - X

Cover housing

B Cover housing

Interface (description the following pages)

Potentiometer output
E1xx Voltage output
E2xx Current output



Special model

X Special / customer-specific

tel. 94 620 10 36 fax. 94 620 18 32
info@kimatic.es · www.kimatic.es

Voltage outputs

Supply voltage 11,5-32V DC
Wiring Cable 500mm long with plug (male) CPC 17 - 14-pole

0...5...10V per axis

1 axis	E129 1	<input type="checkbox"/>
2 axis	2	<input type="checkbox"/>

10...0...10V per axis

1 axis	E141 1	<input type="checkbox"/>
2 axis	2	<input type="checkbox"/>

-10...0...+10V per axis

1 axis	E140 1	<input type="checkbox"/>
2 axis	2	<input type="checkbox"/>

Voltage output with other value on request!

Technical details may vary based on configuration or application! Technical data subject to change without notice!

Double-handle controller D3

Current outputs

Supply voltage	18-36V DC		
Wiring	Cable 500mm long with plug (male) CPC 17 - 14-pole		
4...12...20mA per axis		1 axis	E209 1
20...4...20mA per axis		1 axis	E217 1

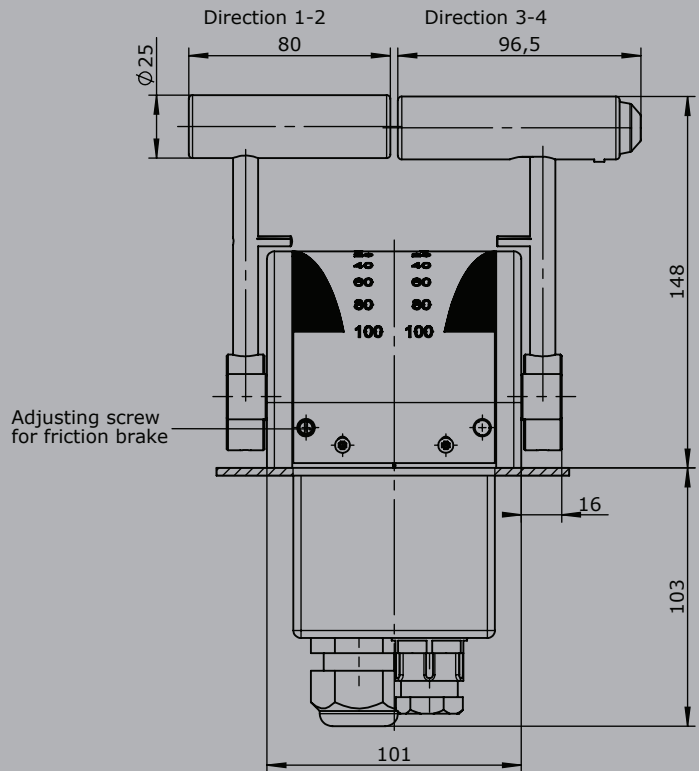
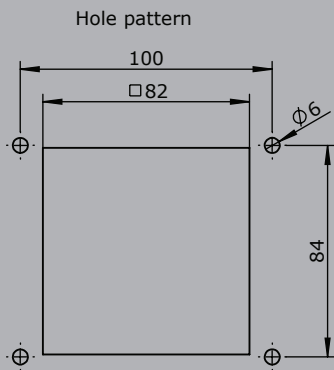
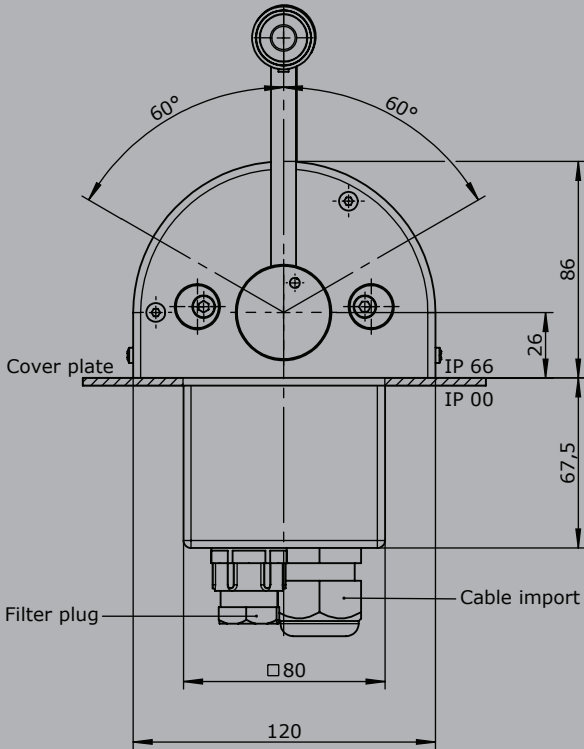
Attachments

Mating connector AMP CPC 17 14-pole (female contact)	5300000211	
Mating connector AMP CPC 17 14-pole (female contact) with 2m cable	5300000213	

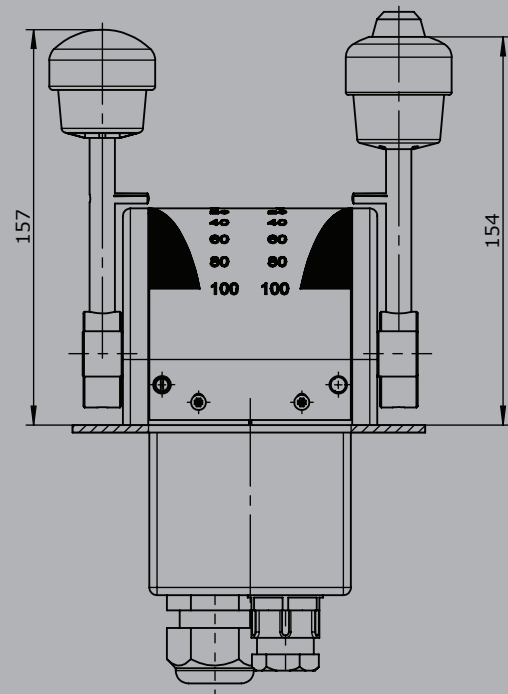
1

Double-handle controller D3

T- grip
D=Push button



Knob solid
D= Push button



KIMATIC.es

tel. 94 620 10 36 fax. 94 620 18 32
info@kimatic.es · www.kimatic.es