

# Double-handle controller D64 / DD64



The double-handle controller D64/DD64 is available in either single-axis or multi-axis options and is a robust controller used commonly in electro-hydraulic applications. The modular design enables the switching device to be used universally. The double-handle controller is resistant to oil, maritime conditions e.g. offshore / vessels, UV radiation typically from the sun.

## Technical data

Mechanical life D64	10 million operating cycles
Mechanical life DD64	20 million operating cycles
Operation temperature	-40°C til +60°C
Degree of protection	IP54 front



1

	D64	S5	Q	/	Q	- 01 Z P	+ 03A R C	- A05 P134	+ A110 C01	- X
<b>Basic unit</b>										
D64										
<b>Control-handle extended</b>										
S5 -20mm										
<b>Grip- control handle left</b>										
Q T-grip										
<b>Grip- control handle right</b>										
Q T-grip										
<b>Axis 1 (direction 1-2)</b>										
01 2 contacts (2A 250V AC15)										
Z Spring return										
P Potentiometer										
<b>Axis 2 (direction 3-4)</b>										
03A 6 contacts (4A 250V AC15)										
R Friction brake										
C Opto-electronical encoder										
<b>Description axis 1 (direction 1-2)</b>										
A05 Arrangement MSP21										
P134 Potentiometer T396 2x5kOhm										
<b>Description axis 2 (direction 3-4)</b>										
A110 Arrangement MSP 24-0										
C01 OEC 2-1-1										
<b>Special model</b>										
X Special / customer-specific										

Example



tel. 94 620 10 36 fax. 94 620 18 32  
info@kimatic.es · www.kimatic.es

# Double-handle controller D64 / DD64

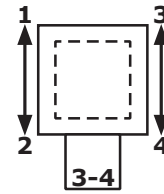
## Combination possibilities with our handles



1

	D64	S5	Q / Q	- 01 Z P	+ 03 A R C	- A05	P134	+ A110	C01	- X
<b>Basic unit</b>										
D64										
reinforced version										
DD64										
<b>Control-handle long*</b>										
Standard 180mm										
S5	-20mm									
S8	+20mm									
*Only in combination with knob!										
<b>Grip- control handle left</b>										
Knob										
M	Mechanical zero interlock									
T	Dead man									
H	Signal button									
D	Push button									
DV	Flush push button									
Q	T-grip									
QM	T-grip with mechanical zero interlock									
QMH	T-grip with mechanical zero interlock + signal contact									
QH	T-grip + signal button									
QD	T-grip + push button side									
B10	Palm grip B10... (see page 144)									
<b>Grip- control handle right</b>										
Knob										
M	Mechanical zero interlock									
T	Dead man									
H	Signal button									
D	Push button									
DV	Flush push button									
Q	T-grip									
QM	T-grip with mechanical zero interlock									
QMH	T-grip with mechanical zero interlock + signal contact									
QH	T-grip with signal button									
QD	T-grip push button side									
B10...	Palm grip B10... (see page 144)									

## Identification of the installation variants with switching directions:



D64 / DD64



tel. 94 620 10 36 f&ax. 94 620 18 32  
info@kimatic.es · www.kimatic.es

# Double-handle controller D64 / DD64

D64L S5 Q / Q - 01 Z P + 03 A R C - A05 P134 + A110 C01 - X

## Axis 1: direction 1-2

(Standard contacts gold-plated 2A 250V AC15)

01	<input type="checkbox"/>	2 contacts	Standard contacts - see arrangement page 112	
02	<input type="checkbox"/>	4 contacts	z.B.	
03	<input type="checkbox"/>	6 contacts	A980	MS00
04	<input type="checkbox"/>	8 contacts	A05	MS21
05	<input type="checkbox"/>	10 contacts	A0500	MS21-00
06	<input type="checkbox"/>	12 contacts	A110	MS24-0
		<input checked="" type="checkbox"/> = silver contact (4A 250V AC15)	A99 contact - arrangement according customer request	

Z Spring return

R Friction brake

(P) Mounting options for potentiometer and encoder (Gessmann-types)

P	Potentiometer	P131	T396 2x0,5kOhm	I max. 1mA
		P132	T396 2x1kOhm	I max. 1mA
		P133	T396 2x2kOhm	I max. 1mA
		P134	T396 2x5kOhm	I max. 1mA
		P135	T396 2x10kOhm	I max. 1mA
		More potentiometer on demand!		

C Encoder C... Encoder see page 119

1



tel. 94 620 10 36 fax. 94 620 18 32  
info@kimatic.es · www.kimatic.es

If both axis identical, it's enough to describe one axis!  
example: A05P134 + A05P134 => A05P134

D64 S5 Q / Q - 01 Z P + 03 A R C - A05 P134 + A110 C01 - X

## Axis 2: direction 3-4

(Standard contacts gold plated 2A 250V AC15)

01	<input type="checkbox"/>	2 contacts	Standard contact - see arrangement on page 112	
02	<input type="checkbox"/>	4 contacts	z.B.	
03	<input type="checkbox"/>	6 contacts	A980	MS00
04	<input type="checkbox"/>	8 contacts	A05	MS21
05	<input type="checkbox"/>	10 contacts	A0500	MS21-00
06	<input type="checkbox"/>	12 contacts	A110	MS24-0
		<input checked="" type="checkbox"/> = silver contacts (4A 250V AC15)	A99 contact - arrangement according customer request	

Z Spring return

R Friction brake

(P) Mounting options for potentiometer and encoder (Gessmann-types)

P	Potentiometer	P131	T396 2x0,5kOhm	I max. 1mA
		P132	T396 2x1kOhm	I max. 1mA
		P133	T396 2x2kOhm	I max. 1mA
		P134	T396 2x5kOhm	I max. 1mA
		P135	T396 2x10kOhm	I max. 1mA
		More potentiometer on demand!		

C Encoder C... Encoder see page 119

# Double-handle controller

## D64 / DD64



D64 S5 Q / Q - 01 Z P + 03 A R C - A05 P134 + A110 C01 - X

### Special model

X Special / customer-specific

### Attachments

Indicating labels

Indicating labels engraved

1

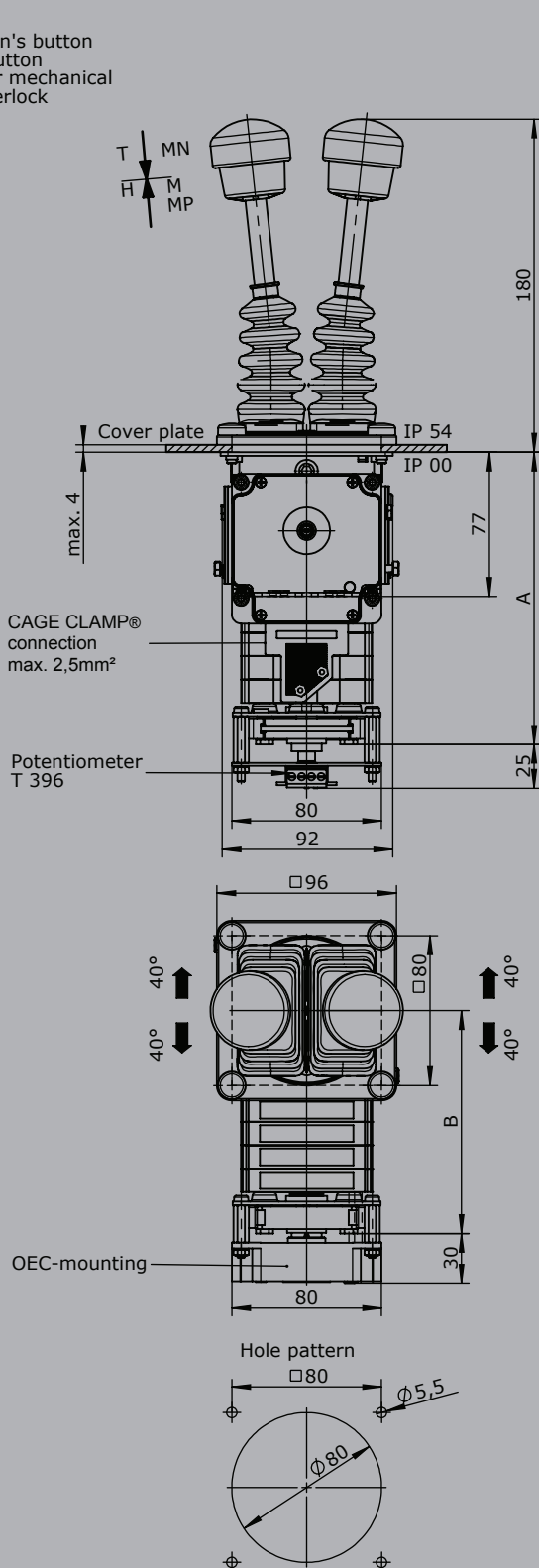


tel. 94 620 10 36 fax. 94 620 18 32  
info@kimatic.es · www.kimatic.es

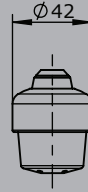
# Double-handle controller

## D64 / DD64

T = Dead man's button  
H = Signal button  
M = Latch for mechanical zero interlock

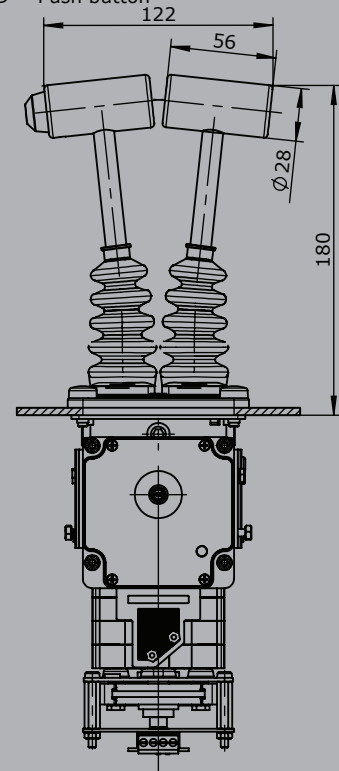


Knob solid  
D = Push button



To build in:  
Direction 1-2  
Direction 3-4

T - grip  
D = Push button



Type	No. of contacts	Dim. A	Dim. B
01	2	119	82
02	4	131	94
03	6	144	107
04	8	156	119
05	10	169	132
06	12	181	144

**KIMATIC.es**

tel. 94 620 10 36 fax. 94 620 18 32  
info@kimatic.es · www.kimatic.es