

# Double-handle controller D8



The double-handle controller D8 is a robust switching device for the hoisting applications. The modular design enables the switching device to be used universally. The double-handle controller is resistant to oil, maritime conditions e.g. offshore /vessels, UV radiation typically from the sun.



## Technical data

Mechanical life D8	10 million operating cycles
Operation temperature	-40°C til +60°C
Degree of protection	IP54 front

1

	D8	S5	Q / Q	- Z ZP	+ 3 RP	- B	- A05 P184	+ A050 P184	- E9012	- X
<b>Basic unit</b>	D8									
<b>Control-handle extended</b>	S5 -20mm									
<b>Grip- control-handle left</b>	Q T-grip									
<b>Grip- control-handle right</b>	Q T-grip									
<b>Axis 1 (direction 1-2)</b>	2 2 contacts (1,5A 24V DC13)									
	Z Spring return									
	P Potentiometer									
<b>Axis 2 (direction 3-4)</b>	3 3 contacts (1,5A 24V FC13)									
	R Friction brake									
	P Potentiometer									
<b>Cover housing</b>	B Cover housing									
<b>Description axis 1 (direction 1-2)</b>	A05 Arrangement MSP21									
	P184 Potentiometer T301 2x5kOhm									
<b>Description axis 2 (direction 3-4)</b>	A050 Arrangement MSP21-0									
	P184 Potentiometer T301 2x5kOhm									
<b>Interface</b>	E9012 Potentiometer output for proportional valve PVG32									
<b>Special model</b>	X Special / customer-specific									



tel. 94 620 10 36 fax. 94 620 18 32  
info@kimatic.es · www.kimatic.es

Technical details may vary based on configuration or application! Technical data subject to change without notice!

# Double-handle controller D8

D8 S5 Q / Q - 2 Z P + 3 R P - B - A05 P184 + A050 P184 - E9012 - X

## Basic unit

D8

## Control-handle extended\*

Standard 160mm

S5 -20mm

S8 +20mm

\*Only in combination with knob!

## Grip- control-handle left

Knob

M Mechanical zero interlock

T Dead man

H Signal button

D Push button

Q T-grip

QD T-grip with push button side

B10... Palm grip B10... (see page 144)

## Grip- control-handle right

Knob

M Mechanical zero interlock

T Dead man

H Signal button

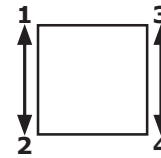
D Push button

Q T-grip

QD T-grip with push button side

B10... Ball handle B10... (see page 144)

D8



1



tel. 94 620 10 36 fax. 94 620 18 32  
info@kimatic.es · www.kimatic.es

D8 S5 Q / Q - 2 Z P + 3 R P - B A05 P184 + A050 P184 - E9012 - X

## Axis 1: direction 1-2 left

1 1 contact

2 2 contacts

3 3 contacts

Standard contact - arrangement see page 112

z.B.

A98

A05

A050

A99 contact - arrangement for customer request

Z Spring return

R Friction brake

(P) Mounting options for potentiometer and encoder (Gessmann-types)

P	Potentiometer	P181	T301 2x0,5kOhm	I max. 1mA
		P182	T301 2x1kOhm	I max. 1mA
		P183	T301 2x2kOhm	I max. 1mA
		P184	T301 2x5kOhm	I max. 1mA
		P185	T301 2x10kOhm	I max. 1mA

More potentiometer on demand!

Hall-potentiometer P43 T1360 0,5...2,5...4,5V / 4,5...2,5...0,5V

# Double-handle controller D8

## Combination possibilities with our handles



1

If both axis identical, it's enough to describe one axis!

example:...A05P184 + A05P184 => A05P184

**D8 S5 Q / Q - 2 Z P + 3 R P - B A05 P184 + A050 P184 - E9012 - X**

Axis 2: direction 3-4			
1	1 contacts	Standard contact - arrangement see page 112	
2	2 contacts	z.B.	
3	3 contacts	A98	
		A05	
		A050	
		A99 contact - arrangement for customer request	
Z	Spring return		
R	Friction brake		
(P)	Mounting options for potentiometer and encoder (Gessmann-types)		
P	Potentiometer	P181 T301 2x0,5kOhm	I max. 1mA
		P182 T301 2x1kOhm	I max. 1mA
		P183 T301 2x2kOhm	I max. 1mA
		P184 T301 2x5kOhm	I max. 1mA
		P185 T301 2x10kOhm	I max. 1mA
		<i>More potentiometer on demand!</i>	
	Hall-Potentiometer	P43 T1360	0,5...2,5...4,5V / 4,5...2,5...0,5V

**D8 S5 Q / Q - 2 Z P + 3 R P - B A05 P184 + A050 P184 - E9012 - X**

Cover housing			
B	Cover housing		
Interface			
E901	1 Potentiometer output for proportional valve PVG32 0,25...0,5...0,75Us	1 axis	
	2	2 axis	
Special model			
X	Special / customer-specific		



tel. 94 620 10 36 fax. 94 620 18 32  
info@kimatic.es · www.kimatic.es

# Double-handle controller

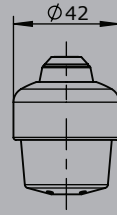
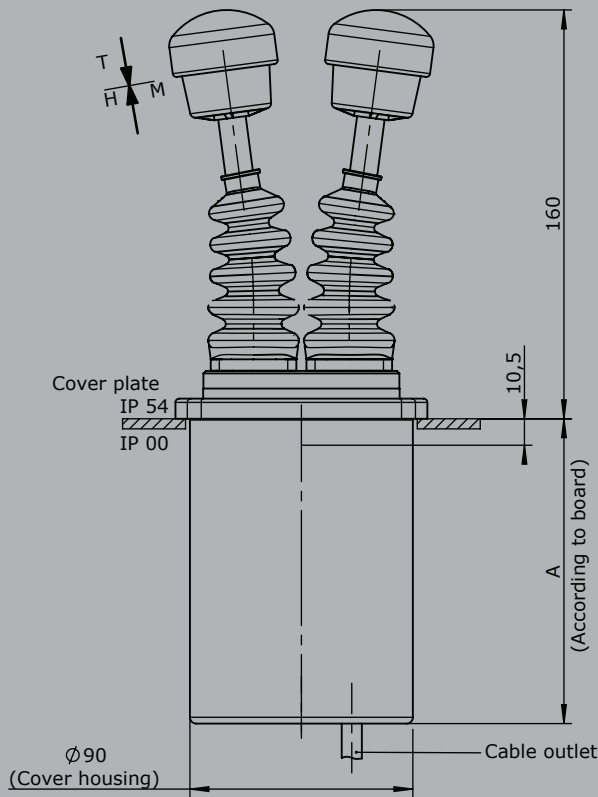
## D8

1

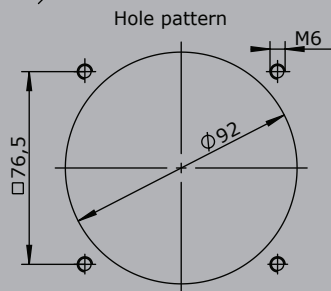
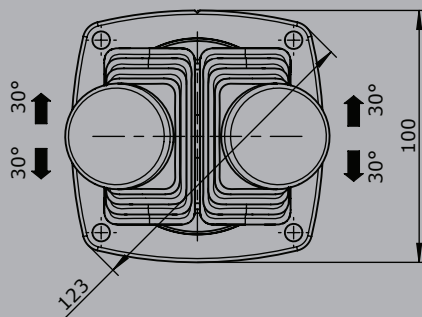
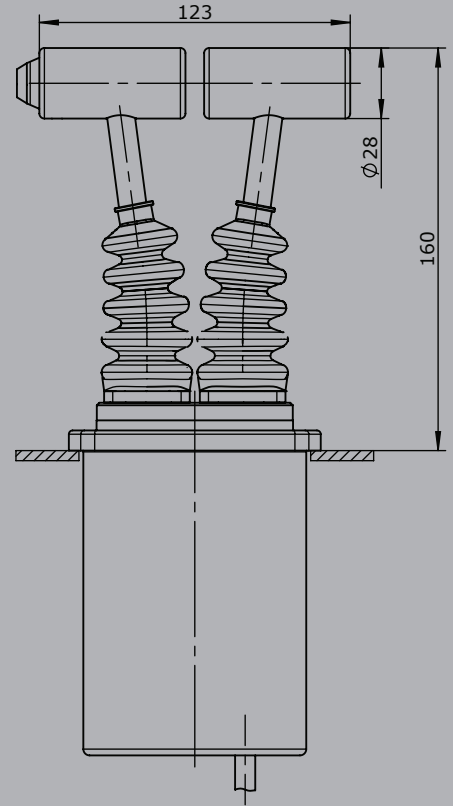
T = Dead man's button  
H = Signal button  
M = Latch for mechanical zero interlock

Knob solid  
D = Push button

T - grip  
D = Push button



To build in:  
Direction 1-2  
Direction 3-4



tel. 94 620 10 36 fax. 94 620 18 32  
info@kimatic.es · www.kimatic.es