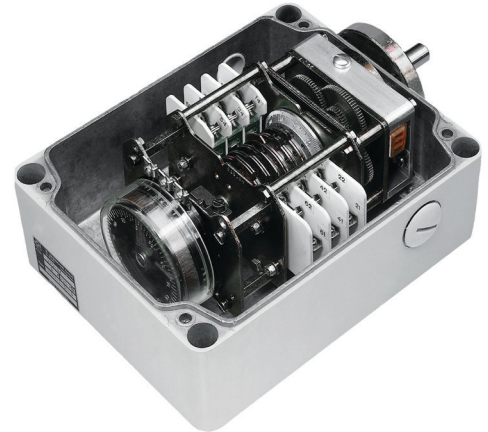


Gear limit switch

GE 1 / GE 2



The gear limit switch GE 1 / GE 2 is a rugged switching device designed for hoisting applications. The modular micro changeover contacts with positive opening operation. The device is programmed by means of stepless adjustment of double cam discs, which can be provided from 18° to 192° contact discs according to the switching program required. The type GE 1 includes a double cam disc conjointly lockable. The type GE 2 includes a double cam disc conjointly lockable.



Technical data

Mechanical life GE1/GE2	10 million operating cycles
Operation temperature	-40°C til +60°C
Degree of protection	IP65
Colour	RAL 7032 pebble grey

Example

	GE 1	- 10	- 4	- P	- U7	- P444	- 18	- 30	- 60	- 90	- X
Basic unit											
GE 1	Gear limit switch GE 1 with mounting flange										
GE 2	Gear limit switch GE 2 with mounting flange										
Gearing											
Ratios:	2:1	to	10:1	example: 10:1 => 10							
	11:1	to	20:1								
	21:1	to	40:1								
	41:1	to	80:1								
	81:1	to	160:1								
	161:1	to	320:1								
Limit switch											
2	2 contacts										
3	3 contacts										
4	4 contacts										
5	5 contacts										
6	6 contacts										
7	7 contacts										
8	8 contacts										
9	9 contacts										
10	10 contacts										
11	11 contacts										
12	12 contacts										
13	13 contacts										
14	14 contacts										
15	15 contacts										
16	16 contacts										
(P)	Possibility of mounting potentiometer (Gessmann-types)										
P	Potentiometer	P451	PW70	0,5kOhm	I max. 30mA						
		P452	PW70	1kOhm	I max. 30mA						
		P454	PW70	5kOhm	I max. 30mA						
		P455	PW70	10kOhm	I max. 30mA						
		<i>More potentiometer on request!</i>									



tel. 94 620 10 36 fax. 94 620 18 32
info@kimatic.es · www.kimatic.es

Technical details may vary based on configuration or application! Technical data subject to change without notice!

Gear limit switch

GE 1 / GE 2

GE 1 - 10 - 4 - P - U7 - P444 - 18 - 30 - 60 - 90 - X

Aluminium housing

U5	U17/13	170x130mm	(max. 8 contacts GE 1)
U6	U16/16	160x160mm	(max. 12 contacts GE 1/ max. 6 contacts GE 2)
U7	U16/20	160x200mm	(max. 16 contacts GE 1/max. 10 v GE 2)
U8	U16/26	160x260mm	(max. 16 contacts GE2)
U9	U16/35	160x350mm	

Program-disc

Following program-discs are available :

18°, 24°, 30°, 36°, 45°, 60°, 75°, 90°, 110°, 120°, 176°, 192°

Example:

Contact 1: program-discs pair 18° (adjustment range 18°-36°)

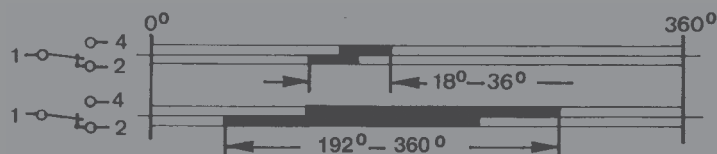
Contact 2: program-discs pair 30° (adjustment range 30°-60°)

Contact 3: program-discs pair 60° (adjustment range 60°-120°)

Contact 4: program-discs pair 90° (adjustment range 90°-180°)

Contact n:

Illustration



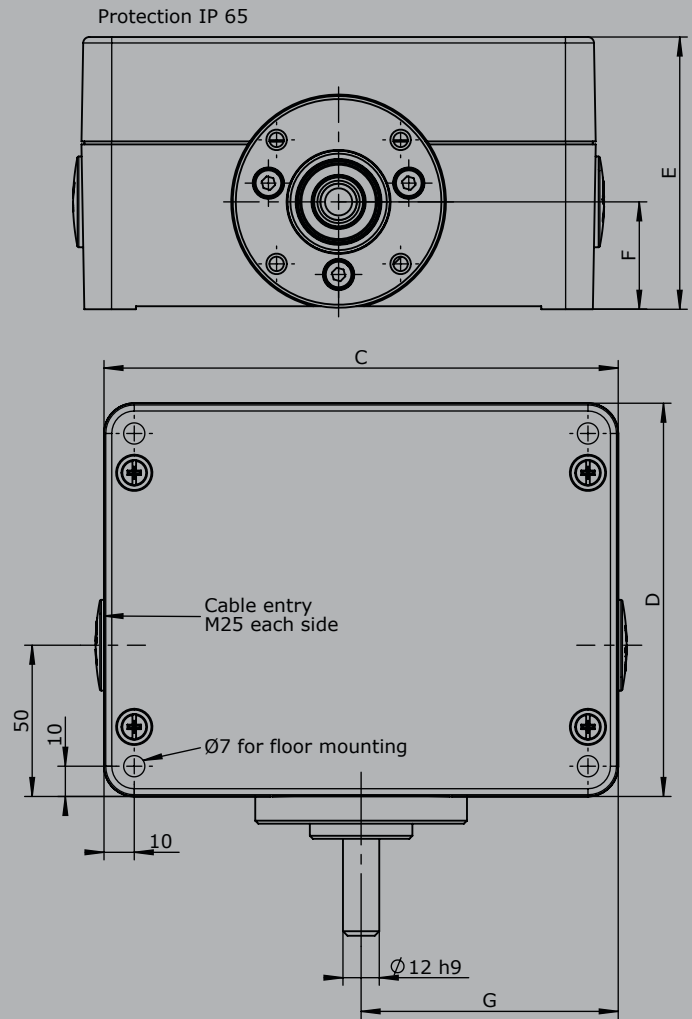
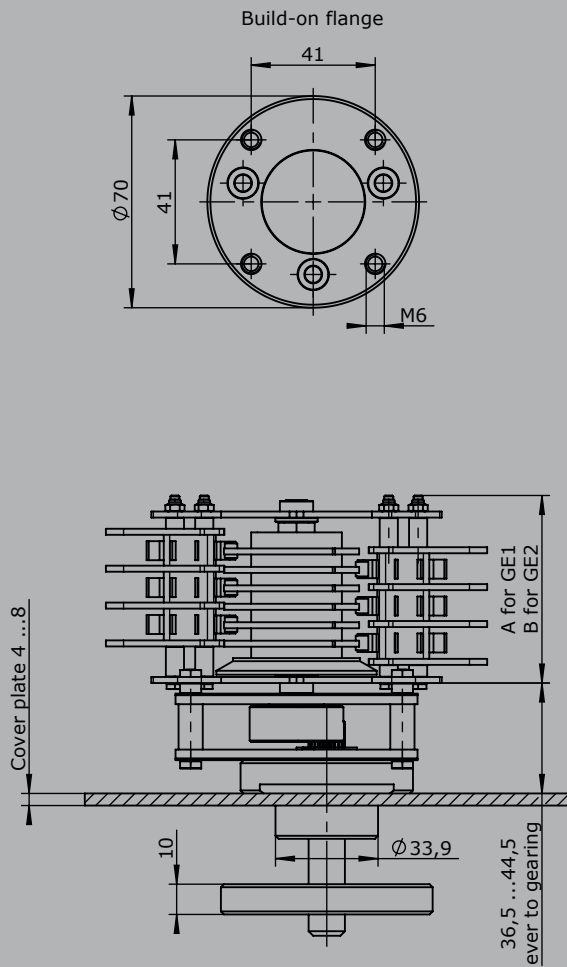
The programm-discs are infinitely adjustable within 360°

Special model

X Special / customer specific

Gear limit switch

GE 1 / GE 2



Type	No. of contacts	Dim. A (GE1)	Dim. B (GE2)
1	1	32	35,5
2	2	38,5	42
3	3	44,5	48
4	4	50,5	54
5	5	56,5	60
6	6	63	66,5
7	7	69	72,5
8	8	75	78,5
9	9	81	84,5
10	10	87	90,5
11	11	93	96,5
12	12	99	102,5
13	13	105,5	109
14	14	111,5	115
15	15	117,5	121
16	16	123,5	127

Type	Dim. C	Dim. D	Dim. E	Dim. F	Dim. G
U17/13	170	130	90	35,5	75
U16/16	160	160	91	45	70
U16/20	160	200	100	45	70
U16/26	160	260	91	45	70
U16/35	160	350	100	45	70



tel. 94 620 10 36 fax. 94 620 18 32
info@kimatic.es · www.kimatic.es