

# Control switch N9



The control-switch N9 is a rugged switching device for hoisting applications. The modular design enables the switching device to be used universally.

## Technical data

Mechanical life N9	10 million operating cycles
Operating temperature	-40°C til +60°C
Degree of protection	IP54

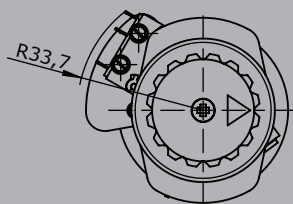
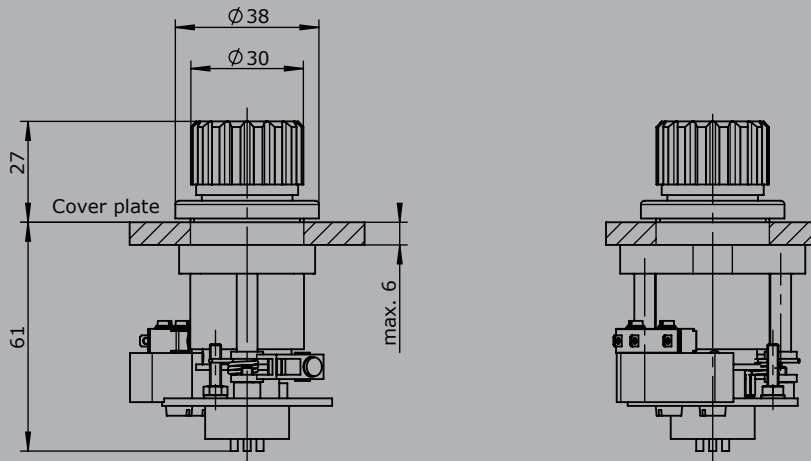


Example

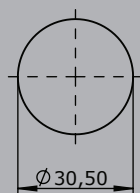
	N9	- 2 R P	- A05	P134	- X
<b>Basic unit</b>					
N9	Control switch with twist grip				
<b>Axis 1: direction 3-4</b>					
1	1 contact	Standard contact - arrangement see page 112			
2	2 contacts	z.B. A98 MS0 A05 MS21 A99 contacts - arrangement according customer request			
R	Friction brake (included in basic unit)				
(P)	Possibility of mounting potentiometer and encoder (Gessmann-types)				
P	Potentiometer	P131	T396 2x0,5kOhm	I max. 1mA	
		P132	T396 2x1kOhm	I max. 1mA	
		P133	T396 2x2kOhm	I max. 1mA	
		P134	T396 2x5kOhm	I max. 1mA	
		P135	T396 2x10kOhm	I max. 1mA	
		More potentiometer on request!			
	Hall-Potentiometer	P43	T1360 0,5...2,5...4,5V / 4,5...2,5...0,5V		
<b>Special model</b>					
X	Special / customer-specific				

# Control switch N9

1



Hole pattern



 **KIMATIC.es**

tel. 94 620 10 36 fax. 94 620 18 32  
info@kimatic.es · www.kimatic.es