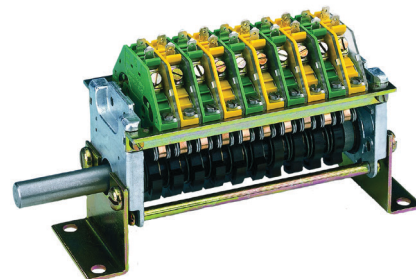


Signal-cam controller NU 1

The cam controller NU 1 is used as a signal and annunciation switch in HV systems. This rugged switching device has cam disks made of insulation material that can be set at 10° intervals. The DC contact blocks are designed to permit series assembly, which can be operated simultaneously.

Technical data


Mechanical life NU1	2 million operating cycles
Operation temperature	-40°C til +60°C
Degree of protection	IP40 / IP65 with aluminium housing



Switching capacity	NC	NO	Time constant
250V DC	2A	1A	20ms
125V DC	4A	3A	20ms
50V DC	6A	6A	20ms
30V DC	10A	10A	20ms
250V DC15	6A	6A	

	NU1	- 4	- 4	- F2	- Z	- W	- A	- X
Basic unit								
NU 1 Signal-cam controller								
Contacts (1. range)								
2 2 contacts								
4 4 contacts								
6 6 contacts								
8 8 contacts								
10 10 contacts								
12 12 contacts								
14 14 contacts								
16 16 contacts								
Contacts (2. range)								
2 2 contacts								
4 4 contacts								
6 6 contacts								
8 8 contacts								
10 10 contacts								
12 12 contacts								
14 14 contacts								
16 16 contacts								

Example



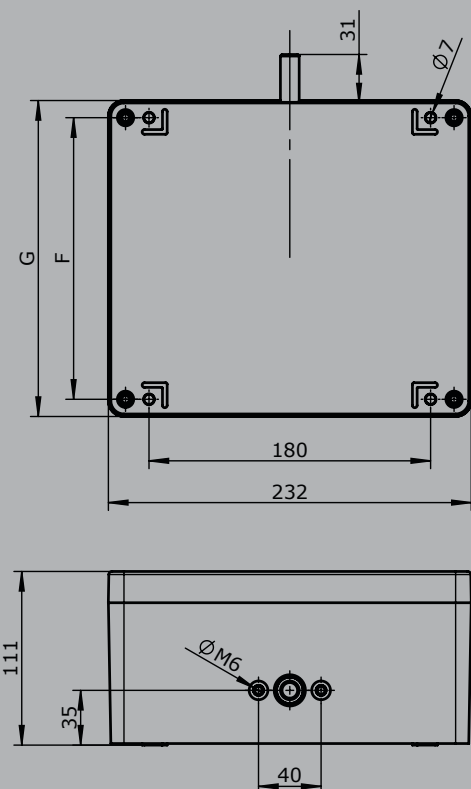
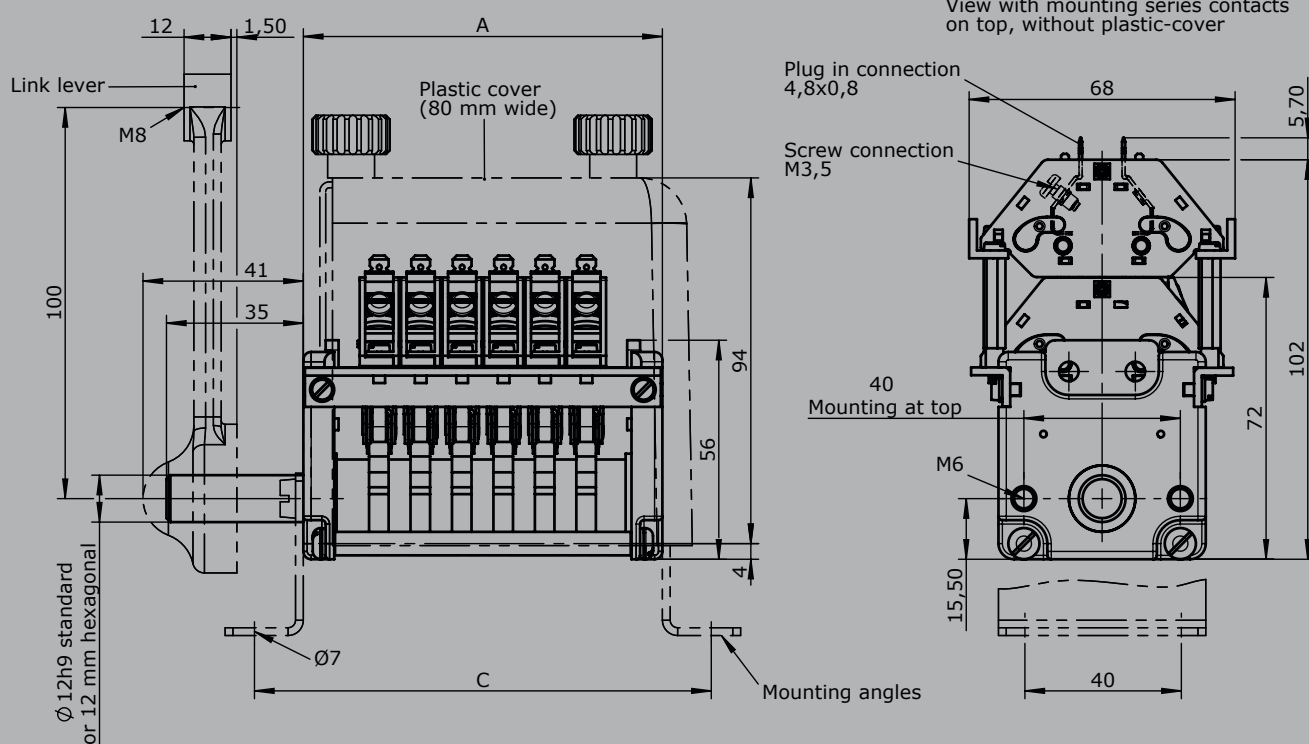
tel. 94 620 10 36 fax. 94 620 18 32
 info@kimatic.es · www.kimatic.es

NU1 - 4 - 4 - F2 - Z - W - A - X

Option	
F1	1 free shaftend with hexagonal 12mm
F2	2 free shaftend diameter 12mm
F3	2 free shaftend with hexagonal 12mm
Z	Spring return
W	Mounting angles (2 pieces)
GH	Link lever
A	Cover housing off Astralon til installation size 4 contacts til installation size 8 contacts til installation size 12 contacts til installation size 16 contacts
B	Shock protection KEG 142 for single contact
Aluminium housing	
U11	U23/20 232x202mm (max. 10 contacts)
U12	U23/28 232x280mm (max. 16 contacts)
<i>Housing only possible with single-row version contacts</i>	
Special model	
X	Special / customer-specific



tel. 94 620 10 36 fâx. 94 620 18 32
 info@kimatic.es · www.kimatic.es



Aluminum housing protection IP 65

Type	No. of contacts	Dim. A	Dim. C	Housing	Dim. F	Dim. G
2	2	7	74	U 23/20	180	202
4	4	70	95			
6	6	91	117			
8	8	113	138			
10	10	134	159	U 23/28	260	280
12	12	155	180			
14	14	176	201			
16	16	197	222			

tel. 94 620 10 36 fax. 94 620 18 32
 info@kimatic.es · www.kimatic.es

