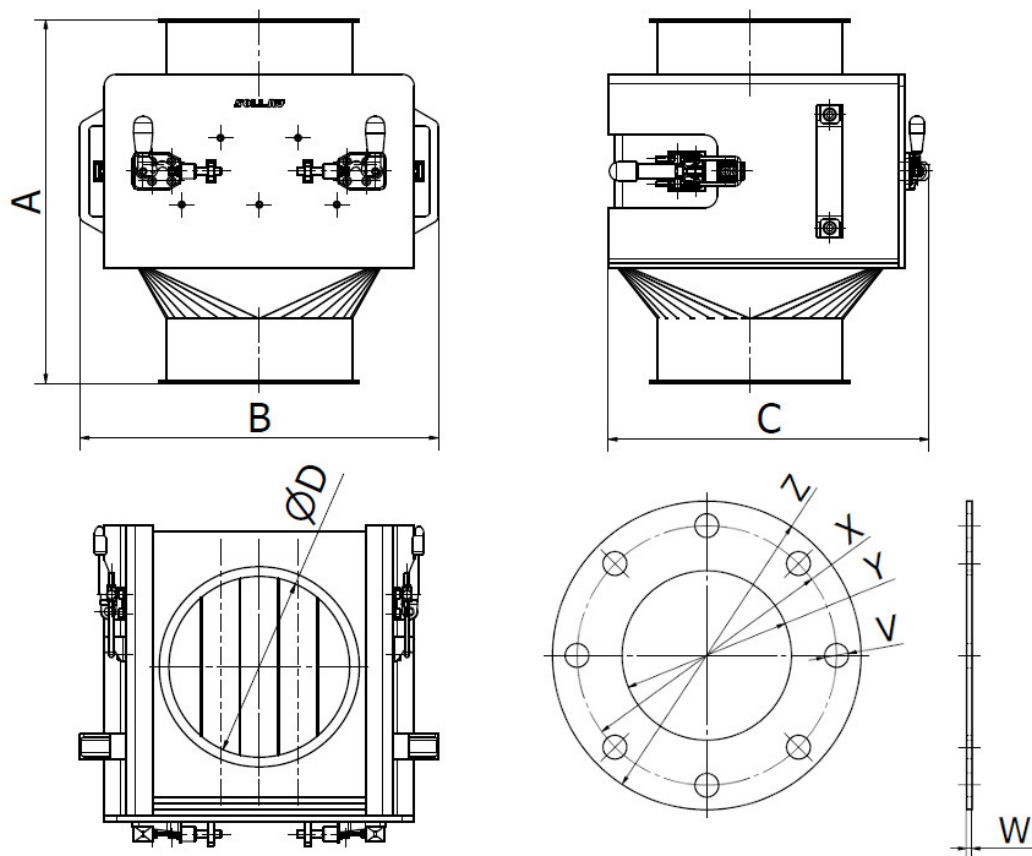


## Datasheet MSS-MC IN 150/5 N



### Models with flanges JACOB

Model	Max. flow capacity (m <sup>3</sup> /h)	Weight (kg)	Dimensions (mm)				Tube diameter (mm)	Distances between lower tubes (mm)	Distances between upper tubes (mm)	Distances between lower and upper tubes (mm)
			A	B	C	D				
MSS-MC IN 100/3 N	4	18	290	295	210	99	32	64	-	23
MSS-MC IN 120/3 N	4	18	290	295	210	119	32	64	-	23
MSS-MC IN 100/5 N	4	20	290	295	210	99	32	32	32	23

MSS-MC IN 150/5 N	7	24	300	295	265	149	32	32	32	23
MSS-MC IN 200/5 N	8	28	300	340	315	199	32	32	32	23
MSS-MC IN 200/7 N	8	32	300	360	315	199	32	32	50	23
MSS-MC IN 250/9 N	11	44	300	425	335	249	32	32	32	23
MSS-MC IN 300/9 N	15	50	300	465	395	299	32	32	32	23

### Models with standard flanges

Model	Dimensions (mm)				
	V	W	X	Y	Z
MSS-MC IN 100/3 N	18	5	180	100	220
MSS-MC IN 125/3 N	18	5	210	125	250
MSS-MC IN 100/5 N	18	5	180	100	220
MSS-MC IN 150/5 N	22	5	240	150	285
MSS-MC IN 200/5 N	22	5	295	200	340
MSS-MC IN 200/7 N	22	5	295	200	340
MSS-MC IN 250/9 N	22	5	350	250	395
MSS-MC IN 300/9 N	22	5	400	300	445

Parameter name	Value
Description:	Magnetický separátor skříňový
Separator placement:	inside of a pipeline
Material flow direction (beginning with the most common one):	vertical
Max. magnetic induction (depending on the type of the separator it is either a magnetic value on the surface of the separator or a magnetic value that is in direct contact with the treated material. Tolerance +/- 10 %:	10700
Magnetic flux on the magnetic core (G) Tolerance +/- 10 %:	17000
Weight of the separator (kg):	24

Connecting dimension, inlet and outlet diameter of the separator (mm):	150
Application (= the material that the application of this separator is suitable for):	bulk material
Separator is suitable also even for the materials of poor bulk properties:	no
Minimum size of the particles that can be captured by the separator (mm):	0.03
Maximum size of the particles that can be captured by the separator (mm):	10
Separator is suitable for vacuum or pressure conveying lines:	no
Separator is suitable for materials transported by:	pipeline
Separator is able to capture paramagnetic particles:	yes
Separator is suitable for abrasive materials (1 = strongly abrasive, 2 = slightly abrasive, 3 = non-abrasive):	3
Separator is suitable for materials that tend to solidify (the materials must be heated):	no
Separation of non-ferrous metals:	no
Cleaning of the separator:	manual cleaning (with easy cleaning system), it is necessary to interrupt the material flow during the cleaning
Max. operating temperature/ max. temperature of the material (°C):	80
Min. surrounding ambient temperature (°C):	-25
Max. surrounding ambient temperature (°C):	45
Built-in standard magnet type:	neodymium magnet N35
Material of the sealing:	silicone
Diameter of the outer (protective) tube of the magnetic rod (mm):	32
Inner diameter (either of the uncovered magnetic cores or of the magnetic rod covered by the first protective stainless steel tube = system tube in tube) (mm):	29
Number of magnetic tubes (it concerns grate type separators only):	5
System tube in tube (it concerns grate type separators only):	ne
Maximum capacity. The mentioned capacities are informative and non binding (m <sup>3</sup> /h):	7

Options of the extended anti-abrasion protection:	chemical nickel coating, plastic coating, rubberizing, ceramic lining
Material of the separator body (that is in contact with the treated material):	DIN 1.4301
ATEX:	zone 21, 22
Outer surface treatment of the separator:	sandblasted
Inner surface treatment of the separator:	sandblasted
Magnetic system:	magnetic tube
Connection possibilities of the separator (the variant mentioned as the first is the standard one):	standard flange, JACOB flange
Other standard parameters:	sight glass
Other additionally paid options (beside the already mentioned options referring to the anti-abrasion protection, motor and connection types):	increased distances between the tubes, flap for a manual interruption of the material flow, inner polishing, polished tubes, neodymium magnets N52, design for ATEX zone 20
Max. operation time (hours/day):	24
Max. production time for a standard version (if not available in stock) (weeks):	8
Standard packing:	stretch wrap + cardboard box
Other packing modes (surcharged options):	wooden box, pallet, maritime packing according to clients needs
Warranty (months):	12

The mentioned capacity is only approximative and depends on the type of the cleaned material. This product can be delivered also in different dimensions, in the versions with a higher temperature resistance, different magnets etc. upon a special request. The product can be equipped with a flap to interrupt the flow of material upon a special request of customer.